



Resistance temperature sensors with protective tube 112 55, 56

Designed for

- the remote temperature measurement in a reservoirs, furnaces add.

Advantages

- material of the protective tube 17251
- variety assortment of the protective tube
- possibility of delivery a fastening flanges
- possibility of delivery a four wires connection after arrangement with producer
- the sensors comes with a 24-month guarantee

Technical data

Span [°C]

112 55	-200 to 600
112 56	-200 to 800 (up to overpressure 100 kPa)

Rated length L

112 55	500, 800, 1000 mm
112 56	500 to 2000 mm

Tolerance class

B

Type

single or double Pt 100

Protection rating

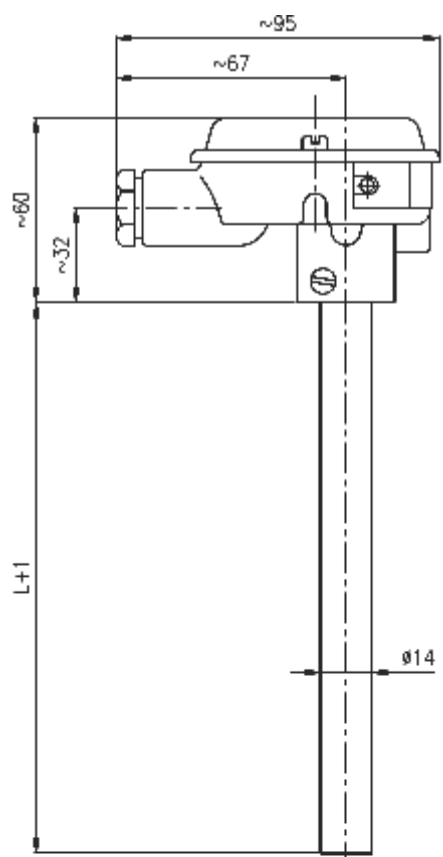
IP 65

Connection

flange

Material of the protection tube

112 55	12 022, 17 251
112 56	17 251



UPEVŇOVACÍ PŘÍRUBA

