



Thermoelectric bar temperature sensors with metal protection tube 113 31, 33, 40, 41, 43

Designed for

- the remote temperature measurement of flue gas in furnaces etc.

Advantages

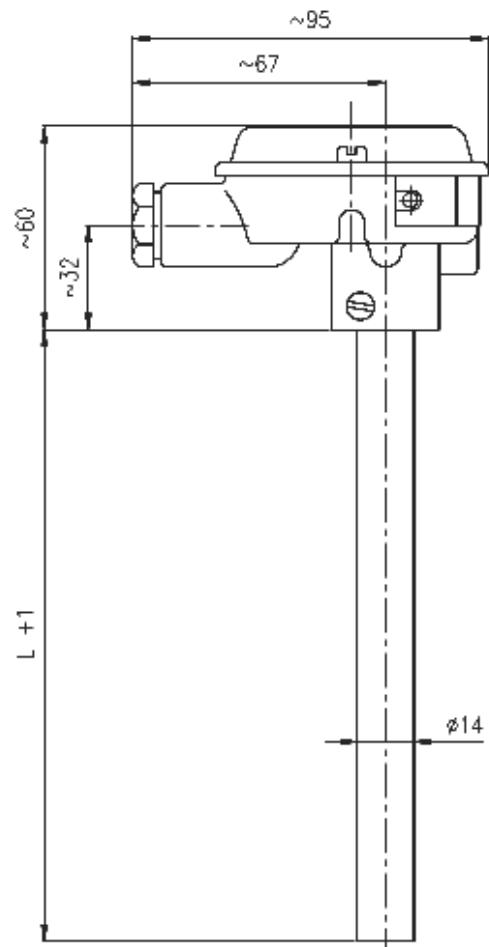
- thermoelectrical cell "J" and "K"
- material of the protecting tubes - steel class 17 251 type 113 31, steel class 17 153 or 17 255 type 113 33 , steel class 17 251 type 113 40, 41
- variety assortment length of the protecting tubes
- possibility of delivery a fitting flanges
- the sensors 113 31 a 113 40 can be supplied also with a double wires convertor with or without a galvanic detachment. Then it is marked as 113 31/P, 113 40/P
- the sensors comes with a 24-month guarantee

Technical data

Span [°C]	0 to 800 (J) (113 31, 113 40) 0 to 1000 (K) (113 33, 113 41)
Rated length L	500; 800; 1000; 1600; 2000 mm 630 mm (113 40, 113 41)
Tolerance class	2
Type	double J or K diameter 4,5
Protection rating	IP 65

113 31/P, 113 40/P

Span [°C]	0 to 800 (J), 0 to 1000 (K)
Basic error/tolerance class	±0,4% / 2 (with GD) ±0,2% / 2 (without GD)
Protection rating	IP 65 (with head type B)
Output signal [mA]	4 to 20



UPEVŇOVACÍ PŘÍRUBA

